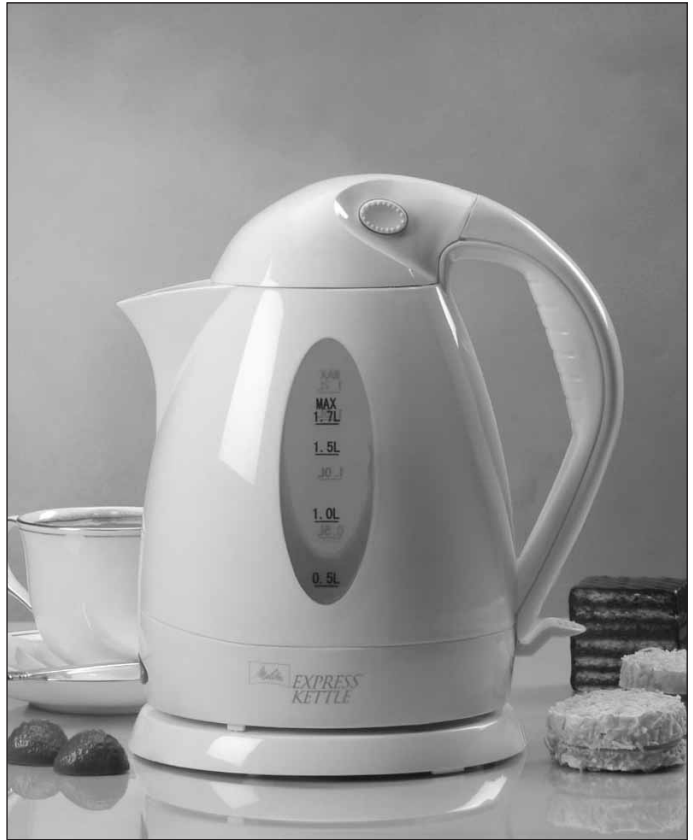


Express Cordless Kettle

USE AND CARE GUIDE FOR MODEL MEK17W



IMPORTANT SAFEGUARDS

When using electrical appliances, basic safety precautions should always be followed, including the following:

1. Read all instructions.
2. Do not touch hot surfaces. Use handles or knobs.
3. To protect against fire, electric shock and injury to persons do not immerse cord, plugs, or appliance in water or other liquid.
4. Close supervision is necessary when any appliance is used by or near children.
5. Unplug from outlet when not in use and before cleaning. Allow to cool before putting on or taking off parts, and before cleaning the appliance.
6. Do not operate any appliance with a damaged cord or plug or after the appliance malfunctions, or has been damaged in any manner. Contact Consumer Service for examination, repair or adjustment.
7. The use of accessory attachments not recommended by the appliance manufacturer may result in fire, electric shock or injury to persons.
8. Do not use outdoors.
9. Do not let cord hang over edge of table or counter, or touch hot surfaces.
10. Do not place on or near a hot gas or electric burner, or in a heated oven.
11. To disconnect, lift the ON/OFF Lever to OFF position, remove plug from wall outlet.
12. Do not use appliance for other than intended use.
13. Be certain Lids are securely in place before operating appliance.
14. Scalding may occur if the lid is opened during the boiling cycle.

SAVE THESE INSTRUCTIONS

For Household Use Only

ADDITIONAL IMPORTANT SAFEGUARDS

WARNING: This appliance generates heat and escaping steam during use. Use proper precautions to prevent the risk of burns, fires, or other injury to persons or damage to property.

1. All users of this appliance must read and understand this Use and Care Guide before operating or cleaning this appliance.
2. The cord to this appliance should be plugged into a 120V AC electrical outlet only.
3. Use **water only** in this appliance! Do not put any other liquids or food products in this appliance. Do not mix or add anything to the water placed in this appliance, except as instructed in the Cleaning Instructions to clean the appliance.
4. To avoid accidental scalding or burns, use extreme caution while moving this appliance when it contains hot water, and while pouring hot water from this appliance.
5. Keep appliance at least 4 inches away from walls or other objects during operation. Do not place any objects on top of appliance while it is operating. Place the appliance on a surface that is resistant to heat.
6. If this appliance begins to malfunction during use, immediately unplug the cord. Do not use or attempt to repair the malfunctioning appliance.
7. If this appliance falls or accidentally becomes immersed in water or any other liquid, unplug it immediately. **Do not reach into the water! Do not use this appliance after it has fallen into or has become immersed in water.** Contact Consumer Service for examination and repair.
8. Do not leave this appliance unattended during use.
9. Always pour water into Kettle before plugging in and heating up the appliance. Never pour water into **heated** Kettle.
10. Be sure Kettle is filled with water to at least the “minimum” marking level. Do not operate appliance without water or with an insufficient amount of water. Also, do not fill above the “MAX” water level. If the Kettle is over filled, there is a risk that boiling water may be ejected.
11. Do not block the steam from emitting from the Spout during use.
12. Do not use this appliance if it is cracked or damaged. Contact Consumer Service for examination and repair.
13. Do not place this appliance in a microwave oven.

Polarized Plug

This appliance has a polarized plug (one blade is wider than the other). To reduce the risk of electric shock, this plug is intended to fit into a polarized outlet only one way. If the plug does not fit fully in the outlet, reverse the plug. If it still does not fit, contact a qualified electrician. Do not attempt to modify the plug in any way.

SHORT CORD INSTRUCTIONS

A short power-supply cord is provided to reduce the risk resulting from becoming entangled in or tripping over a longer cord.

Do not use an extension cord with this product.

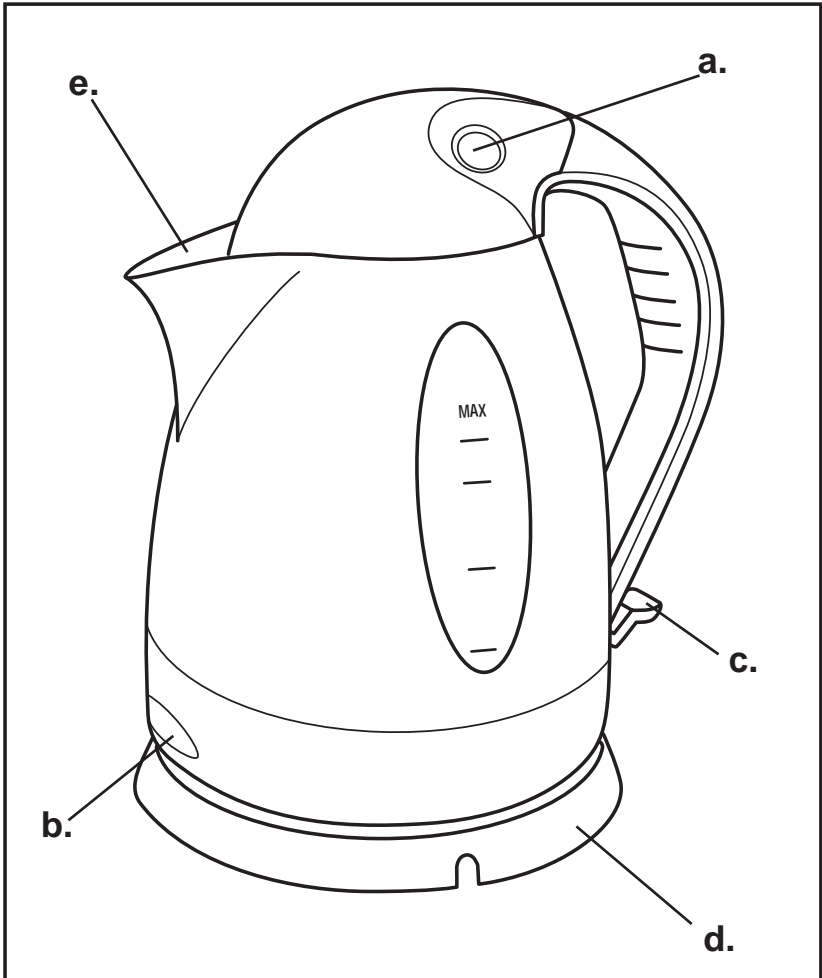
ELECTRIC POWER: If the electric circuit is overloaded with other appliances, your appliance may not operate properly. It should be operated on a separate electrical circuit from other appliances.

CAUTION: To prevent Plasticizers from migrating from the finish of the countertop or tabletop or other furniture, place **NON-PLASTIC** coasters or placemats between the appliance and the finish of the countertop or tabletop.

Failure to do so may cause the finish to darken, permanent blemishes may occur or stains can appear.

Figure 1

- a. Lid Release Buttons
- b. Indicator Light
- c. ON/OFF Lever
- d. Power Base (P/N 31035)
- e. Scale Filter (P/N 31036)



Before Using Your Express Kettle

Carefully unpack your Express Kettle and remove all packaging materials. Place your Express Kettle on a level surface such as a countertop or table.

Thoroughly clean your Kettle before using. Remove Kettle from the Power Base. Fill the Kettle to its maximum capacity (1.7 litres) with water and boil. See boiling instructions. When the unit shuts off, discard the water. Rinse the Kettle out with cold water. Wait ten minutes to allow the heating element to cool. Repeat this process two more times.

Boiling Instructions

1. Place Power Base on a level surface such as a countertop or table. The Power Base must be dry before use.
2. Raise the ON/OFF Lever into the OFF position. (See Figure 2).

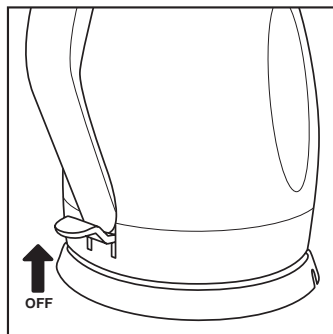


FIGURE 2

3. Remove Kettle from the Power Base.
4. Open the Lid by pressing the Lid Release Buttons together and lifting up. (See Figure 3). Fill the Kettle with the desired amount of water. Close the Lid and wipe excess water off the Kettle.

NOTE: If the Lid is not properly closed, the Kettle will not automatically shut off.

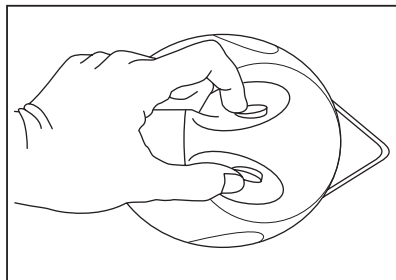


FIGURE 3

5. Place the Kettle on the Power Base, engaging the connector into the bottom of the Kettle. Be careful not to spill any water onto the Power Base.
6. Plug the Power Base into 120V ~ 60 Hz electrical outlet.
7. Press the ON/OFF Lever down, into the ON position, the Indicator Light will come on.
8. When the water comes to a boil the Kettle will automatically shut off and the Indicator Light will turn off.
NOTE: The Kettle can be turned off at any time during the heating process by using the ON/OFF Lever.
9. Remove the Kettle from the Power Base before pouring.
NOTE: Always wait until the Kettle is off before removing it from the Power Base.
10. To reheat water, place Kettle back onto Power Base and press ON/OFF Lever down, into the ON position. Be careful not to spill any water onto the Power Base.
11. Unplug the Power Base when not in use. Allow it to cool before reuse.

Cleaning Your Express Kettle

CAUTION: Do not immerse Kettle or Power Base in any liquid, or place in a dishwasher to be cleaned.

1. Raise the ON/OFF Lever into the OFF position and unplug unit. Allow unit to cool before cleaning.
2. Open the Lid by pressing the Lid Release Buttons together and lifting up (Revert back to Figure 3).
3. Remove the Scale Filter from inside the Kettle by pressing down on tab on the front of the filter inside of spout. (See Figure 4a). Pull up and out from the Lid Opening. (See Figure 4b). Rinse under running water and use a soft brush if necessary (do not use a metal brush). Replace Scale Filter.

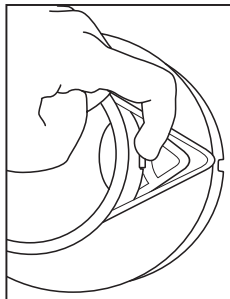


FIGURE 4a

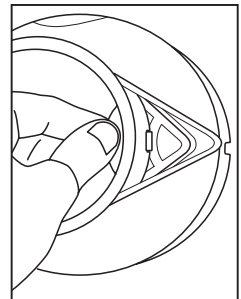


FIGURE 4b

4. Rinse the inside of the Kettle with water, and wipe it with a damp cloth.
NOTE: Do not use highly corrosive or abrasive cleaning agents or brushes.
5. Wipe the Power Base unit with a damp cloth.
6. To remove any discoloration from inside the Kettle, rub baking soda on a damp cloth over the metal. Rinse thoroughly and dry.
NOTE: Mineral deposits can form a coating inside the Kettle and may cause an off flavor in the water or lengthen the boiling time. Use the following cleaning method:
7. In a bowl, mix a diluted solution of one part vinegar to four parts water and pour into Kettle. Do not boil the solution in the Kettle, as it may damage the Kettle.
8. Allow the solution to soak in the Kettle for 30 minutes. Then clean with a soft, non-abrasive brush.
9. Empty out solution. Fill the Kettle with clean water and rinse thoroughly.

Cord Storage

1. Raise the ON/OFF Lever to the OFF position. Unplug from outlet and allow to cool thoroughly.
2. Remove Kettle from Power Base and empty out water, dry thoroughly.
3. Turn Power Base upside down and wrap cord around inside of Power Base.
4. Place Kettle on Power Base for storing.

This appliance requires little maintenance. It contains no user serviceable parts. Do not try to repair it yourself. Any servicing requiring disassembly other than cleaning must be performed by a qualified appliance repair technician.

IMPORTANT NOTICE

If any parts are missing or defective,

DO NOT return this product.

Please call our Customer Service Department for assistance.

1-800-233-9054 Monday - Friday 9:00 am - 5:00 pm CST

Thank You

LIMITED ONE YEAR WARRANTY

Warranty: This Melitta® product is warranted by Salton, Inc. to be free from defects in materials or workmanship for a period of (1) year from the original purchase date. This product warranty covers only the original consumer purchaser of the product.

Warranty Coverage: This warranty is void if the product has been damaged by accident in shipment, unreasonable use, misuse, neglect, improper service, commercial use, repairs by unauthorized personnel, normal wear and tear, improper assembly, installation or maintenance abuse or other causes not arising out of defects in materials or workmanship. This warranty is effective only if the product is purchased and operated in the USA, and does not extend to any unit which have been used in violation of written instructions furnished with the product, or to units which have been altered or modified or to damage to products or parts thereof which have had the serial number removed, altered, defaced or rendered illegible.

Implied Warranties: ANY IMPLIED WARRANTIES WHICH THE PURCHASER MAY HAVE ARE LIMITED IN DURATION TO ONE (1) YEAR FROM THE DATE OF PURCHASE. Some states do not allow limitations on how long an implied warranty lasts, so the above limitation may not apply to you.

Warranty Performance: During the above one-year warranty period, a product with a defect will be either repaired or replaced with a reconditioned comparable model (at our option) when the product is returned to the Repair Center, or the purchase price refunded. The repaired or replacement product will be in warranty for the balance of the one-year warranty period and an additional one-month period. No charge will be made for such repair or replacement.

Service and Repair: Should the appliance malfunction, you should first call toll-free (1-800-233-9054) between the hours of 9:00 am and 5:00 pm Central Standard Time and ask for CONSUMER SERVICE stating that you are a consumer with a problem. Please refer to model number MEK17W when you call.

In-Warranty Service (USA): For an appliance covered under the warranty period, no charge is made for service or postage. Call for return authorization (1-800-233-9054).

Out-of Warranty Service: A flat rate charge by model is made for out-of-warranty service. Include \$10.00 (U.S.) for return shipping and handling. We will notify you by mail of the amount of the charge for service and require you to pay in advance for the repair or replacement.

For Products Purchased in the USA, but Used in Canada: You may return the product insured, packaged with sufficient protection, and postage and insurance prepaid to the USA address listed below. Please note that all customs duty / brokerage fees, if any, must be paid by you and we will require you to pay the cost of customs duty / brokerage fees to us in advance of our performing any service.

Risk During Shipment: We cannot assume responsibility for loss or damage during incoming shipment. For your protection, carefully package the product for shipment and insure it with the carrier. Be sure to enclose the following items with your appliance: any accessories related to your problem, your full return address and daytime phone number, a note describing the problem you experienced, a copy of your sales receipt or other proof of purchase to determine warranty status. C.O.D. shipments cannot be accepted.

To return the appliance, ship to: To contact us, please write to, call, or email:

Attn: Repair Center	Salton, Inc.
Salton, Inc.	P.O. Box 6916
708 South Missouri Street	Columbia, MO 65205-6916
Macon, MO 63552	1(800) 233-9054
Email: Salton@Saltonusa.com	

Limitation of Remedies: No representative or person is authorized to assume for Salton, Inc. any other liability in connection with the sale of our products. There shall be no claims for defects or failure of performance or product failure under any theory of tort, contract or commercial law including, but not limited to negligence, gross negligence, strict liability, breach of warranty and breach of contract. Repair, replacement or refund shall be the sole remedy of the purchaser under this warranty, and in no event shall Salton be liable for any incidental or consequential damages, losses or expenses. Some states do not allow the exclusion or limitation of incidental or consequential damages, so the above limitation or exclusion may not apply to you.

Legal Rights: This warranty gives you specific legal rights, and you may also have other rights which vary from state to state.

For more information on Salton products:
Visit our website: www.esalton.com